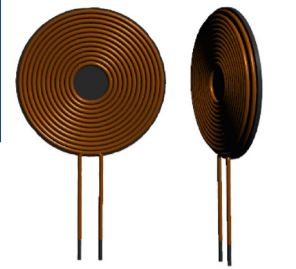


20W RX DUAL MODE WIRELESS CHARGING COIL



AWCCA-RX350300-101

Ø 35.00 x 3.15 mm

 **RoHS/RoHS II Compliant**
MSL= 1

FEATURES

- Wireless charging receiver coil
- Optimized for 19V/20W operation
- 25uH inductance
- 35mm diameter
- 3.15mm height
- High permeability shielding to protect sensitive electronics
- Durable construction
- Industrial -40°C to 85°C operating temperature
- Compatible with Semtech's high power 20W wireless charging receiver (TSDMRX-19V/20W-EVM)

APPLICATIONS

- Industrial automation
- Medical devices
- Portable audio/video
- Robotics
- Drones
- Appliances
- Power tools

MAXIMUM RATINGS

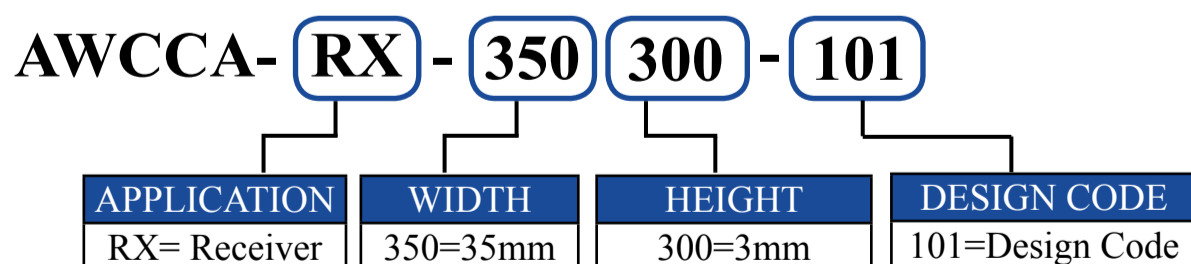
Item	Value
Operating Temperature Range	T = -25°C ~ 85°C, RH 65±20%
Storage Temperature Range	T = -40°C~85°C, RH 65±20%

ELECTRICAL SPECIFICATIONS

Part Number	Inductance	DC Resistance	Q
AWCCA-RX350300-101	25µH±10%	<150mΩ Typ	90 Typ
Test Condition	100KHz / 1V	20±15°C	100KHz/1V
Test Equipment	HP4284A, HP42841A , Agilent 34420A or equivalent		
Test Environment	Temperature: 20±15°C, RH: 65% ±20%.		

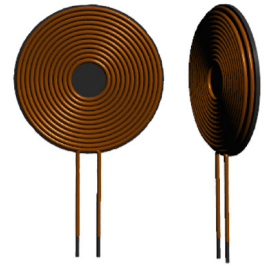
Test Conditions: Ambient Temperature: 20±10°C, RH: 65% ±20%.

PART IDENTIFICATION



REVISED: 09/02/2016

20W RX DUAL MODE WIRELESS CHARGING COIL



AWCCA-RX350300-101

Ø 35.00 x 3.15 mm

RoHS/RoHS II Compliant

MSL= 1

MECHANICAL DIMENSIONS (ALL DIMENSIONS ARE IN mm)

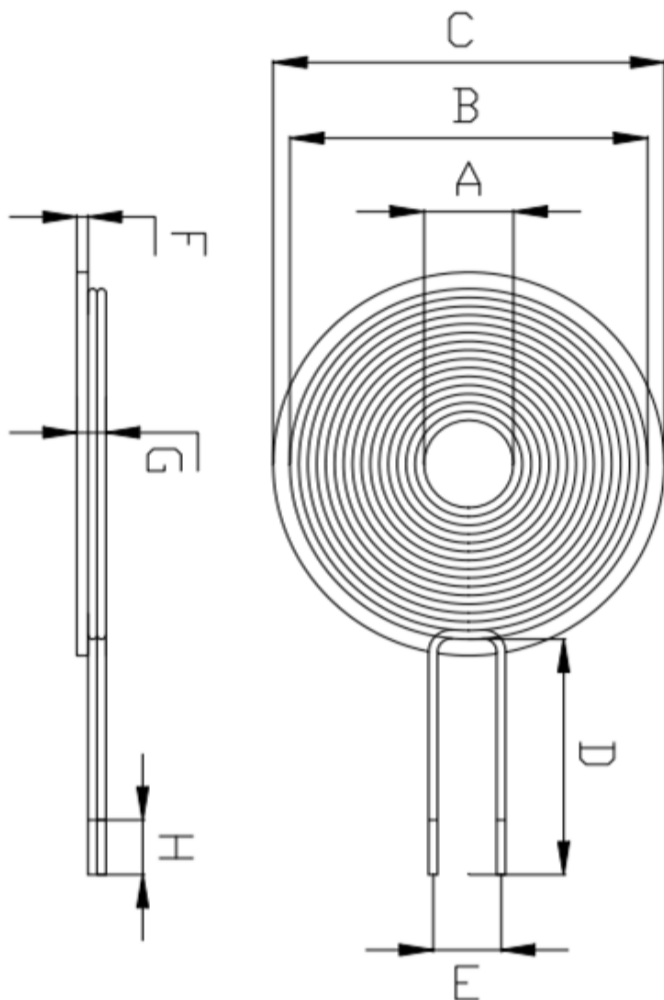
Tolerances are ±0.2mm, unless otherwise specified*

Dimensions of AWCCA-RX350300-101

Item	A	B	C	D	E	F	G	H
Spec	8.00	34.00	35.00	25.00	5.00	1.00	3.15	5.00
Tol	±2.00	Max	±0.80	±2.00	±2.00	±0.08	MAX	±1.50

Winding Details of AWCCA-RX350300-101

Number of Coils	Wire	Number of Turns	Inductance
1	Φ0.08 mm*50	15 Turns, 2 Layer	25μH±10%
Magnetic Sheet		Format	
Soft Ferrite		1 layer / Φ35.0mm x 1.00mm	



Wave Soldering Profile: Not suitable for wave soldering

Manual Soldering: 350°C Max, 3secs

Packaging: Box, 100pcs MOQ

STORAGE AND OPERATIONAL CONDITIONS

Storage Conditions

1. Recommended storage conditions: -25°C~85°C, 70%RH (Max.)
2. Service life: Within the limits of six month from being produced.
3. The appearance and solder ability should be check, if product is not in expiry date.

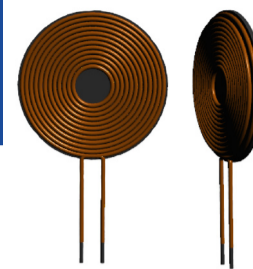
Operation Conditions

1. Use condition limit: T=-25°C ~ 85°C, RH≤ 90%.

REVISED: 09/02/2016

20W RX DUAL MODE WIRELESS CHARGING COIL

AWCCA-RX350300-101



Ø 35.00 x 3.15 mm



RoHS/RoHS II Compliant

MSL= 1

NOTES

1. The parts are manufactured in accordance with this specification. If other conditions and specifications which are required for this specification, please contact ABRACON for more information.
2. ABRACON will supply the parts in accordance with this specification unless we receive a written request to modify prior to an order placement.
3. In no case shall ABRACON be liable for any product failure from in appropriate handling or operation of the item beyond the scope of this specification.
4. When changing your production process, please notify ABRACON immediately.
5. ABRACON LLC's products are COTS – Commercial-Off-The-Shelf products; suitable for Commercial, Industrial and, where designated, Automotive Applications. ABRACON's products are not specifically designed for Military, Aviation, Aerospace, Life-dependant Medical applications or any application requiring high reliability where component failure could result in loss of life and/or property. For applications requiring high reliability and/or presenting an extreme operating environment, written consent and authorization from ABRACON LLC is required. Please contact ABRACON LLC for more information.
6. All specifications and Marking will be subject to change without notice.

REVISED: 09/02/2016