

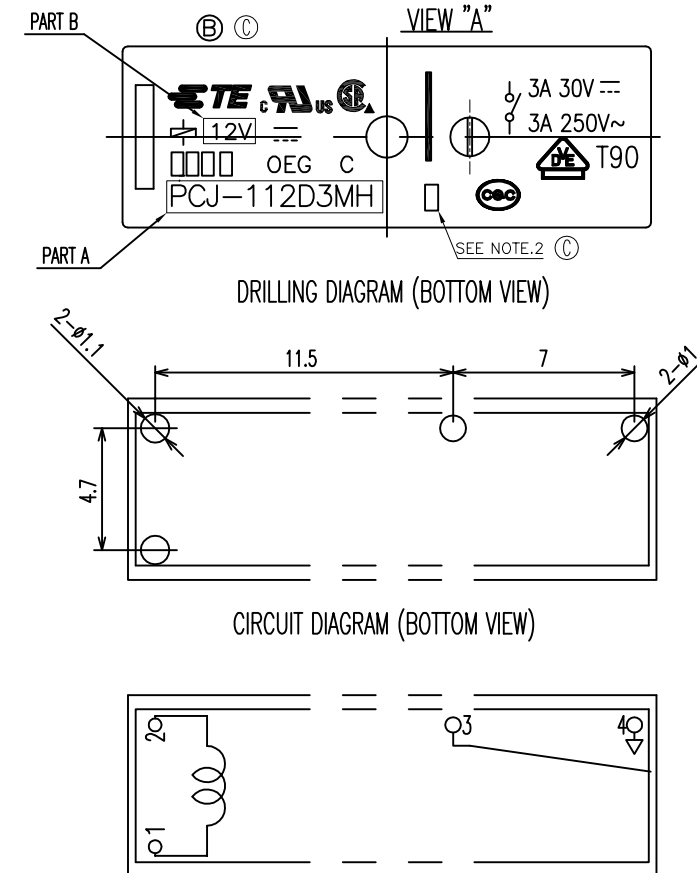
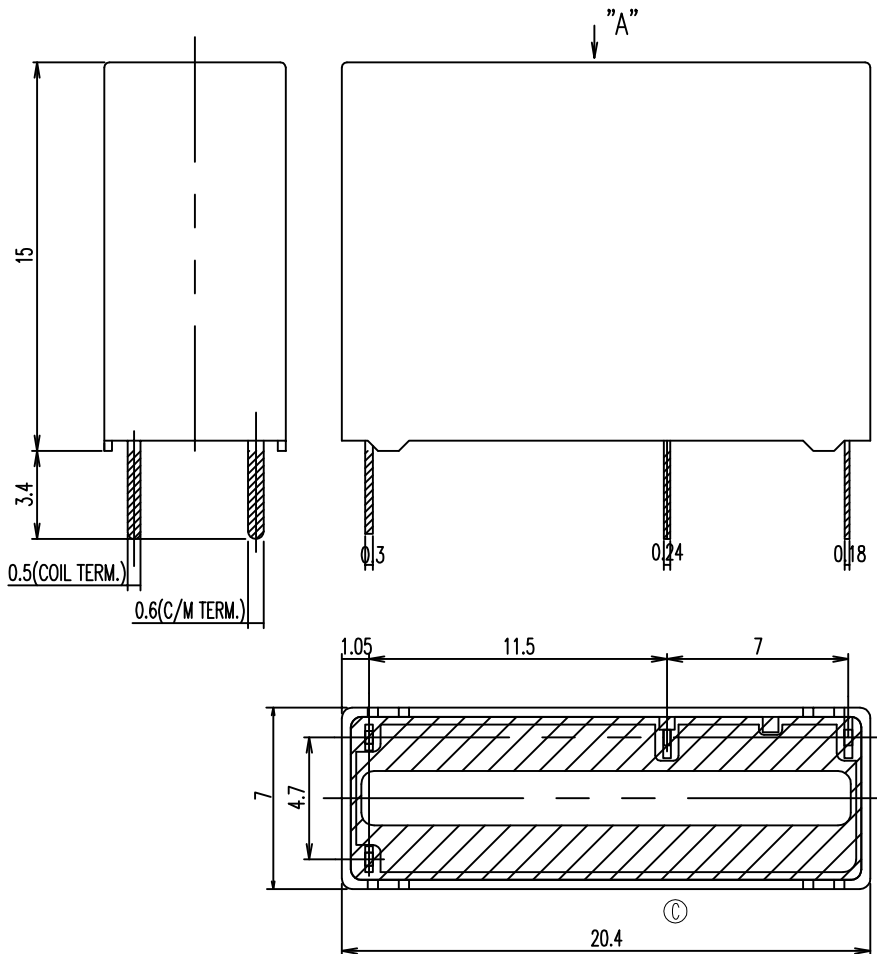
THIS DRAWING IS UNPUBLISHED.

RELEASED FOR PUBLICATION

ALL RIGHTS RESERVED.

© COPYRIGHT - By TE Connectivity

LOC	DIST	REVISIONS			
P	LTR	DESCRIPTION	DATE	DWN	APVD
HB	-				
	C	TECHNICAL DATA AND DIMENSIONS. ADD ONE CHARACTER Distinguishing FROM INK TO LASER, LAYER VIEW FILE ON THE TOP OF COILS AND VIEW FILE ON THE BOTTOM. ADD ONE CHARACTER Distinguishing THE LINE IDENTITY & TERMINAL TOLERANCE CLASSIFICATION	ECO-11-008338	16-APR-12	FS.H B.H.Y



NOTES:

- 1.SOLDER DIP:STATIONARY TERMINAL AND MOVABLE SPRING COIL TERMINAL and COIL TERMINAL TO MAGNETIC WIRE
- 2.ONE CHARACTER Distinguish THE LINE IDENTITY, SUCH AS: A, B...
- 3.TERMINAL DIMENSION IS BEFORE SOLDER DIP.
- 4.FOR THE TIN-PLATING OF THE PINS:
+0.1mm FOR WIDTH,THICKNESS AND DIAMETER.
+0.5mm FOR LENGTH.
- 5.MARKING FROM INK CHANGE TO LASER

DIAGRAM DIMENSION	TOLERANCE
0.99mm max.	±0.1mm
1 - 2.99mm	±0.2mm
3mm min.	±0.3mm

THIS DRAWING IS A CONTROLLED DOCUMENT.

DWN H.SASAKI	TE Connectivity	
CHK Y.OIKAWA	PCJ SPEC ,301	
APVD A.NAGAI	SIZE A3	CAGE CODE 00779
PRODUCT SPEC -	DRAWING NO C=1721081	RESTRICTED TO -
APPLICATION SPEC -	SCALE 5:1	SHEET 1 of 3
WEIGHT -	REV C	
CUSTOMER DRAWING		

4

3

2

1

THIS DRAWING IS UNPUBLISHED.

RELEASED FOR PUBLICATION

-. - .

© COPYRIGHT - By TE Connectivity

ALL RIGHTS RESERVED.

LOC

DIST

REVISIONS

HB

-

P LTR

DESCRIPTION

DATE

DWN

APVD

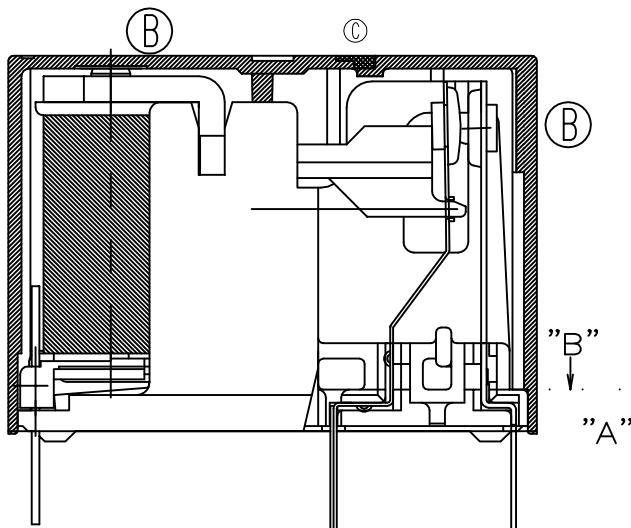
- SEE SHEET 1

-

-

-

Ⓑ CHANGE CASE,CORE,YOKE : REV_A ==> B



THIS DRAWING IS A CONTROLLED DOCUMENT.		DWN H.SASAKI	TE Connectivity													
DIMENSIONS: mm		CHK Y.OIKAWA			NAME											
TOLERANCES UNLESS OTHERWISE SPECIFIED:		APVD A.NAGAI	PCJ SPEC ,301													
<table border="1"> <tr><td>0 PLC</td><td>± -</td></tr> <tr><td>1 PLC</td><td>± -</td></tr> <tr><td>2 PLC</td><td>± -</td></tr> <tr><td>3 PLC</td><td>± -</td></tr> <tr><td>4 PLC</td><td>± -</td></tr> <tr><td>ANGLES</td><td>± -</td></tr> </table>		0 PLC	± -	1 PLC	± -	2 PLC	± -	3 PLC	± -	4 PLC	± -	ANGLES	± -	PRODUCT SPEC -	SIZE A3	CAGE CODE 00779
0 PLC	± -															
1 PLC	± -															
2 PLC	± -															
3 PLC	± -															
4 PLC	± -															
ANGLES	± -															
MATERIAL -		FINISH -	DRAWING NO C=1721081	RESTRICTED TO -												
CUSTOMER DRAWING			SCALE 5:1	SHEET 2 of 3												
			REV C													

THIS DRAWING IS UNPUBLISHED.

RELEASED FOR PUBLICATION

ALL RIGHTS RESERVED.

© COPYRIGHT - By TE Connectivity

LOC

DIST

REVISIONS

HB

P

LTR

DESCRIPTION

DATE

DWN

APVD

SEE SHEET 1

01

N	PCJ-124D3MH ,301S	2-1721081-8	107-79053 (TUBE)	24V	PCJ-124D3MH
M	PCJ-118D3MH ,301S	2-1721081-7	107-79053 (TUBE)	18V	PCJ-118D3MH
L	PCJ-112D3MH ,301S	2-1721081-6	107-79053 (TUBE)	12V	PCJ-112D3MH
K	PCJ-109D3MH ,301S	2-1721081-5	107-79053 (TUBE)	9V	PCJ-109D3MH
J	PCJ-106D3MH ,301S	2-1721081-4	107-79053 (TUBE)	6V	PCJ-106D3MH
I	PCJ-105D3MH ,301S	2-1721081-3	107-79053 (TUBE)	5V	PCJ-105D3MH
H	PCJ-103D3MH ,301S	2-1721081-2	107-79053 (TUBE)	3V	PCJ-103D3MH
G	PCJ-124D3M ,301S	2-1721081-1	107-79053 (TUBE)	24V	PCJ-124D3M
F	PCJ-118D3M ,301S	2-1721081-0	107-79053 (TUBE)	18V	PCJ-118D3M
E	PCJ-112D3M ,301S	1-1721081-9	107-79053 (TUBE)	12V	PCJ-112D3M
D	PCJ-109D3M ,301S	1-1721081-8	107-79053 (TUBE)	9V	PCJ-109D3M
C	PCJ-106D3M ,301S	1-1721081-7	107-79053 (TUBE)	6V	PCJ-106D3M
B	PCJ-105D3M ,301S	1-1721081-6	107-79053 (TUBE)	5V	PCJ-105D3M
A	PCJ-103D3M ,301S	1-1721081-5	107-79053 (TUBE)	3V	PCJ-103D3M
n	PCJ-124D3MH ,301	1-1721081-4	107-79014 (TRAY)	24V	PCJ-124D3MH
m	PCJ-118D3MH ,301	1-1721081-3	107-79014 (TRAY)	18V	PCJ-118D3MH
l	PCJ-112D3MH ,301	1-1721081-2	107-79014 (TRAY)	12V	PCJ-112D3MH
k	PCJ-109D3MH ,301	1-1721081-1	107-79014 (TRAY)	9V	PCJ-109D3MH
j	PCJ-106D3MH ,301	1-1721081-0	107-79014 (TRAY)	6V	PCJ-106D3MH
i	PCJ-105D3MH ,301	1721081-9	107-79014 (TRAY)	5V	PCJ-105D3MH
h	PCJ-103D3MH ,301	1721081-8	107-79014 (TRAY)	3V	PCJ-103D3MH
g	PCJ-124D3M ,301	1721081-7	107-79014 (TRAY)	24V	PCJ-124D3M
f	PCJ-118D3M ,301	1721081-6	107-79014 (TRAY)	18V	PCJ-118D3M
e	PCJ-112D3M ,301	1721081-5	107-79014 (TRAY)	12V	PCJ-112D3M
d	PCJ-109D3M ,301	1721081-4	107-79014 (TRAY)	9V	PCJ-109D3M
c	PCJ-106D3M ,301	1721081-3	107-79014 (TRAY)	6V	PCJ-106D3M
b	PCJ-105D3M ,301	1721081-2	107-79014 (TRAY)	5V	PCJ-105D3M
a	PCJ-103D3M ,301	1721081-1	107-79014 (TRAY)	3V	PCJ-103D3M
No	DESCRIPTION	TE PART NO	PACKING SPECIFICATION	PART B	PART A

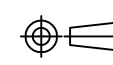
RELAY TYPE

A

nn	PCJ-124D3MH ,301M	4-1721081-2	107-79048 (TUBE)	24V	PCJ-124D3MH
mm	PCJ-118D3MH ,301M	4-1721081-1	107-79048 (TUBE)	18V	PCJ-118D3MH
ll	PCJ-112D3MH ,301M	4-1721081-0	107-79048 (TUBE)	12V	PCJ-112D3MH
kk	PCJ-109D3MH ,301M	3-1721081-9	107-79048 (TUBE)	9V	PCJ-109D3MH
jj	PCJ-106D3MH ,301M	3-1721081-8	107-79048 (TUBE)	6V	PCJ-106D3MH
ii	PCJ-105D3MH ,301M	3-1721081-7	107-79048 (TUBE)	5V	PCJ-105D3MH
hh	PCJ-103D3MH ,301M	3-1721081-6	107-79048 (TUBE)	3V	PCJ-103D3MH
gg	PCJ-124D3M ,301M	3-1721081-5	107-79048 (TUBE)	24V	PCJ-124D3M
ff	PCJ-118D3M ,301M	3-1721081-4	107-79048 (TUBE)	18V	PCJ-118D3M
ee	PCJ-112D3M ,301M	3-1721081-3	107-79048 (TUBE)	12V	PCJ-112D3M
dd	PCJ-109D3M ,301M	3-1721081-2	107-79048 (TUBE)	9V	PCJ-109D3M
cc	PCJ-106D3M ,301M	3-1721081-1	107-79048 (TUBE)	6V	PCJ-106D3M
bb	PCJ-105D3M ,301M	3-1721081-0	107-79048 (TUBE)	5V	PCJ-105D3M
aa	PCJ-103D3M ,301M	2-1721081-9	107-79048 (TUBE)	3V	PCJ-103D3M
No	DESCRIPTION	TE PART NO	PACKING SPECIFICATION	PART B	PART A

A RELAY TYPE

		Sn-Ag-Cu	SOLDER	18
94V-0		PBT	CASE	17
		UV	SEAL(BASE)	16
		EPOXY	SEAL(CASE AND BASE)	15
		3UEW	MAGNETIC WIRE	14
94V-0		PBT	CARD	13
		Ag ALLOY	STATIONARY CONTACT	12
	SOLDER DIP	Cu ALLOY	STATIONARY TERMINAL	11
		Ag ALLOY	MOVABLE CONTACT	10
	SOLDER DIP	Cu ALLOY	MOVABLE SPRING	9
94V-0		PBT	BASE	8
		STAINLESS	HINGE SPRING	7
	NIP	STEEL	ARMATURE	6
	NIP	STEEL	CORE	5
	NIP	STEEL	YOKE	4
	SOLDER DIP	Cu ALLOY	COIL TERMINAL B	3
	SOLDER DIP	Cu ALLOY	COIL TERMINAL A	2
94V-0		PBT	BOBBIN	1
INCOMBUSTIBILITY	TREATMENT	MATERIAL	DESCRIPTION	ITEM

THIS DRAWING IS A CONTROLLED DOCUMENT.		DWN H.SASAKI	TE TE Connectivity	
		CHK Y.OIKAWA		
DIMENSIONS: mm		APVD A.NAGAI	NAME PCJ SPEC ,301	
		PRODUCT SPEC -	SIZE A3	
MATERIAL -		FINISH -	CAGE CODE 00779	DRAWING NO C=1721081
		APPLICATION SPEC -	RESTRICTED TO -	
		WEIGHT -	SCALE 5:1	
		CUSTOMER DRAWING		SHEET 3 of 3
				REV C