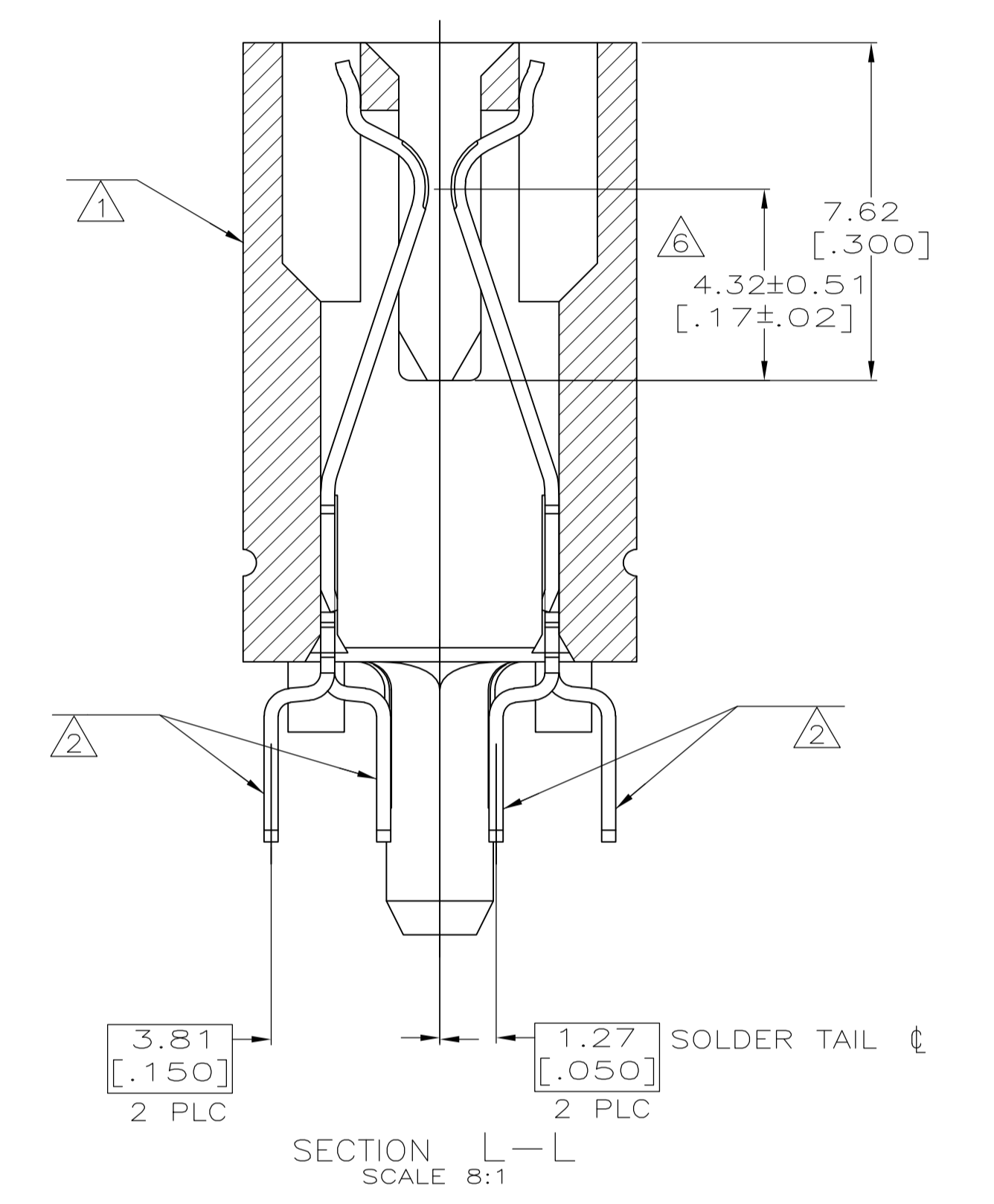
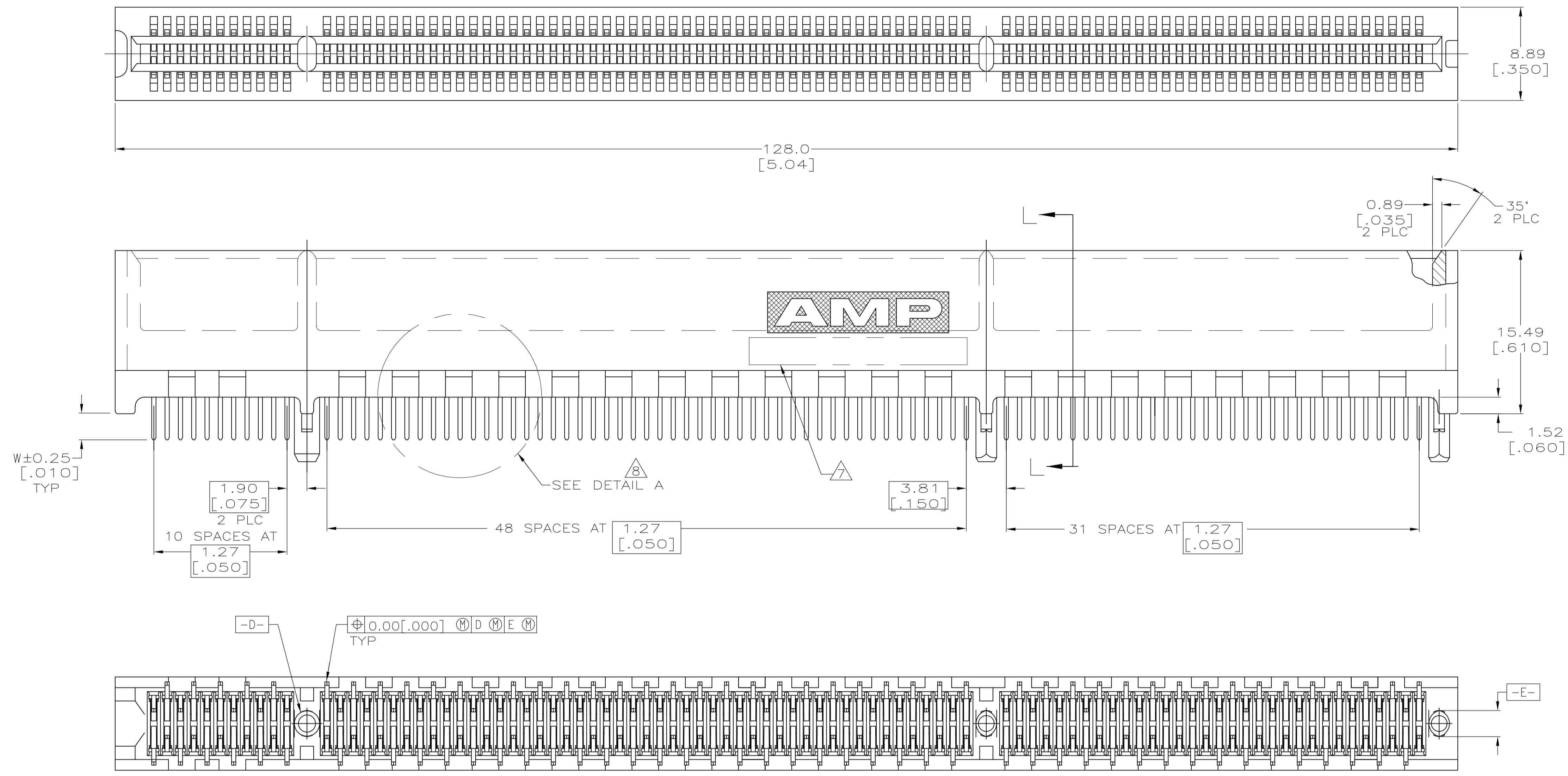
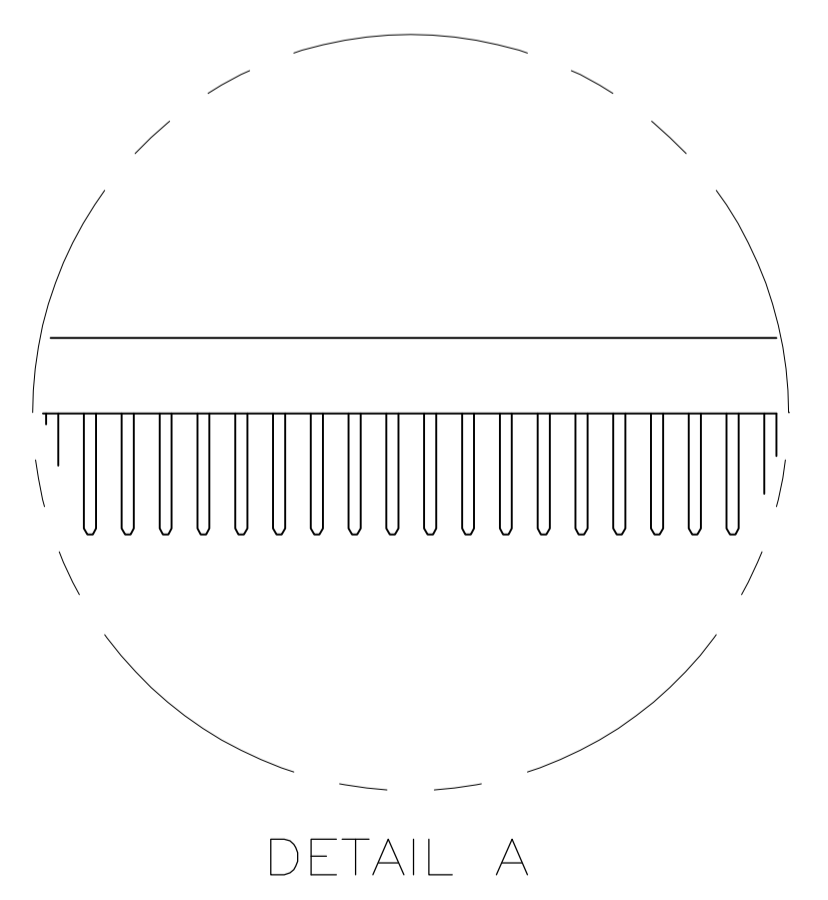


SEE SHEET 2 FOR NOTES



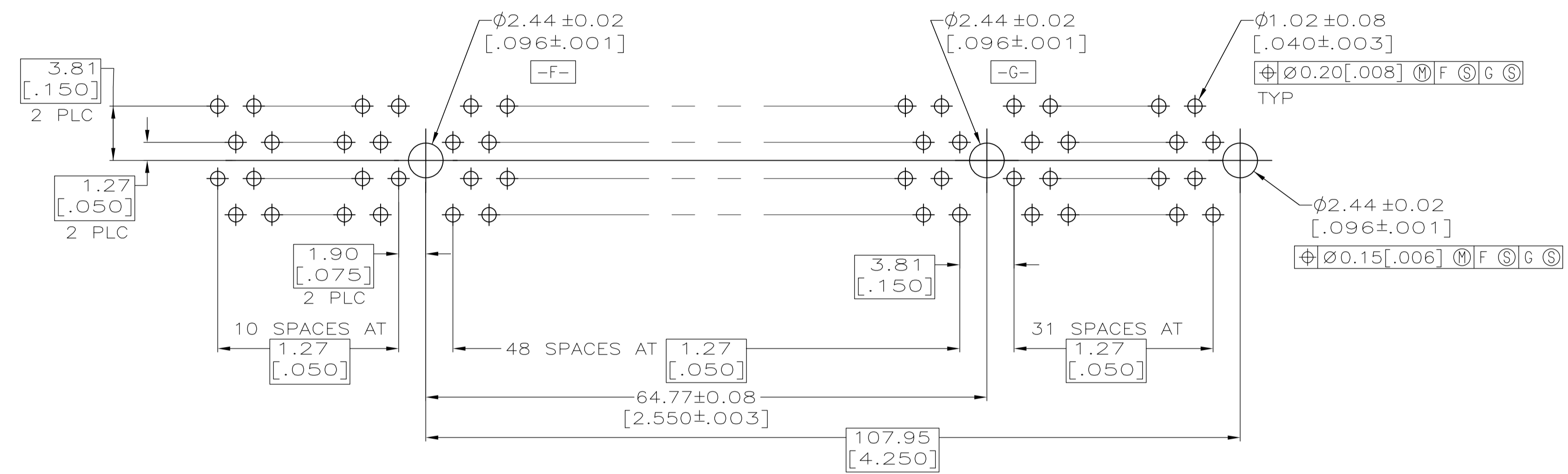
SEE SHEET 2 FOR HOLE PATTERN



3.56 [.140]	△	1-145165-2
3.17 [.125]	△	145165-8
2.54 [.100]	△	145165-4
2.54 [.100]	△	145165-3
2.54 [.100]	△	145165-2
2.54 [.100]	△	145165-1
W	FINISH	PART NUMBER

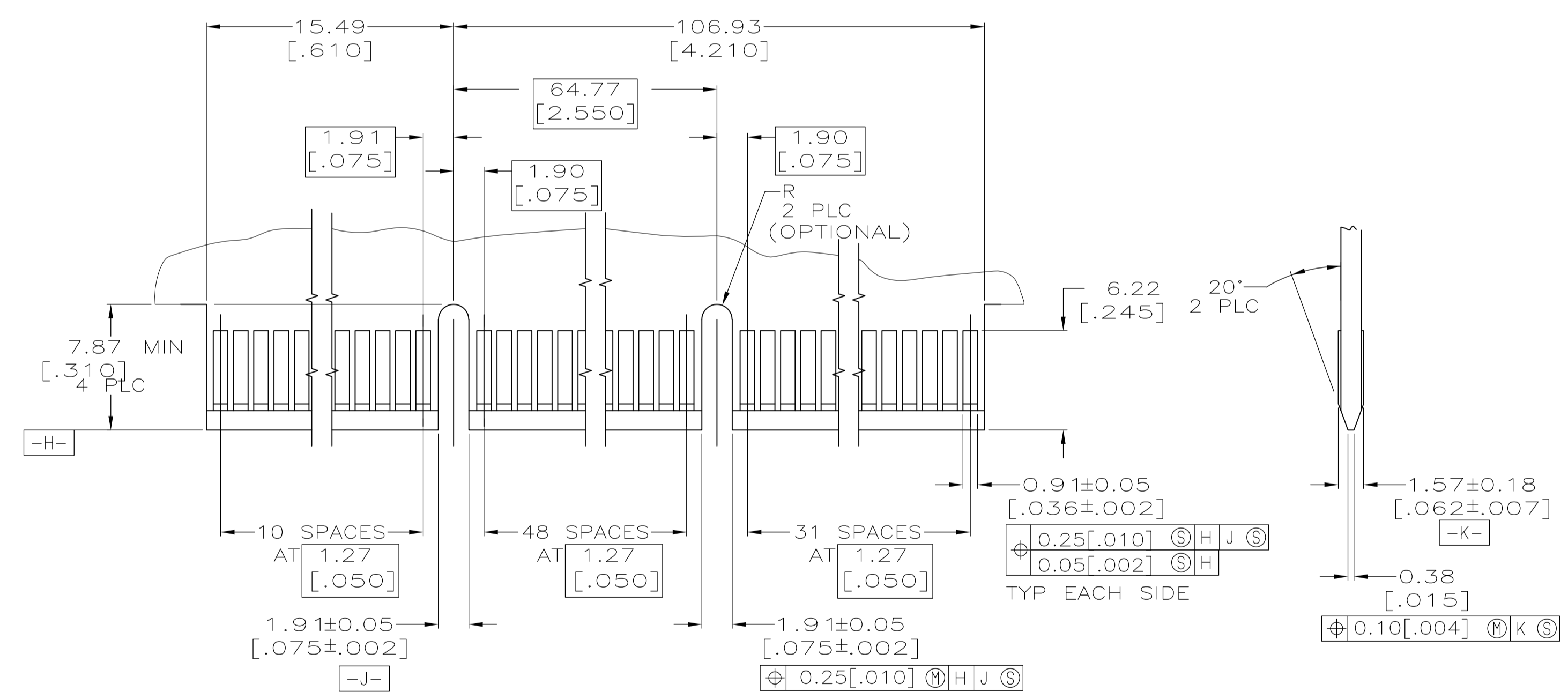
OBSOLETE, SUPERSEDED BY -4
 △ SUPERSEDED BY 5145165-2
 OBSOLETE

THIS DRAWING IS A CONTROLLED DOCUMENT.		DIN R BROWN 6/12/95	TE Connectivity	
DIMENSIONS: mm [INCHES]		CHK M BOWERS 6/12/95	NAME	
TOLERANCES UNLESS OTHERWISE SPECIFIED:		APVD	PRODUCT SPEC	
0 PLC ± -	1 PLC ± -	APVD	108-14034	
2 PLC ± 0.25(.01)	3 PLC ± 0.13(.005)	APVD	APPLICATION SPEC	
4 PLC ± -	ANGLES ± -	APVD	114-26012	
MATERIAL	FINISH	APVD	SIZE	CAGE CODE
△/△	△/△/△/△	APVD	A1	00779
CUSTOMER DRAWING		APVD	DRAWING NO	RESTRICTED TO
		APVD	145165	-
		APVD	SCALE 4:1	SHEET 1 OF 2
		APVD	REV	H2



RECOMMENDED CONNECTOR MOUNTING HOLE PATTERN
(CONNECTOR SIDE SHOWN)

- 1 HOUSING: HIGH TEMPERATURE THERMOPLASTIC. COLOR - NATURAL
- 2 CONTACT: PHOSPHOR BRONZE.
- 3 CONTACT FINISH: 0.00127[.000050] MIN NICKEL ALL OVER. GOLD FLASH OVER NICKEL IN CONTACT AREA. 0.00254[.000100] MIN TIN-LEAD OVER NICKEL ON SOLDER TAILS.
- 4 CONTACT FINISH: 0.00127[.000050] MIN NICKEL ALL OVER. 0.00038[.000015] GOLD OVER NICKEL IN CONTACT AREA. 0.00254[.000100] MIN TIN-LEAD OVER NICKEL ON SOLDER TAILS.
- 5 CONTACT FINISH: 0.00127[.000050] MIN NICKEL ALL OVER. 0.00076[.000030] GOLD OVER NICKEL IN CONTACT AREA. 0.00254[.000100] MIN TIN-LEAD OVER NICKEL ON SOLDER TAILS.
- 6 DISTANCE FROM CONTACT POINT TO BOTTOM OF CARD SLOT.
- 7 AMP PART NUMBER, DATE CODE AND CSA LOGO MARKED IN APPROXIMATE LOCATION SHOWN.
- 8 CORED OR SOLID SIDE WALLS ARE AT DISCRETION OF AMP INCORPORATED.
- 9 OBSOLETE PARTS: OBSOLETE CIS STREAMLINING PER D.RENAUD/D.SINISI



RECOMMENDED MATING BOARD EDGE CONFIGURATION

THIS DRAWING IS A CONTROLLED DOCUMENT.		DIN R BROWN 6/12/95	
		CHK M BOWERS 6/12/95	
DIMENSIONS: mm [INCHES]	TOLERANCES UNLESS OTHERWISE SPECIFIED:	PRODUCT SPEC	NAME
	0 PLC ± -	108-14034	CONNECTOR ASSEMBLY, 92 DUAL POSITION, .050 SERIES.
	1 PLC ± -	APPLICATION SPEC	SIZE
	2 PLC ± 0.25[.01]	114-26012	CAGE CODE
	3 PLC ± 0.13[.005]		DRAWING NO
	4 PLC ± -		RESTRICTED TO
	ANGLES ± ± °		
MATERIAL SEE SHEET 1	FINISH SEE SHEET 1	WEIGHT	SCALE
		A1 00779	4:1
		C=145165	SHEET
		CUSTOMER DRAWING	2 OF 2
			REV
			H2